

MECHANICAL EQUIPMENT

Products

Industrial, Off Highway & Rail

Foot Mounts, Buffers & Narrow Waist Mounts

Foot Mounts, Buffers and Narrow Waist Mounts



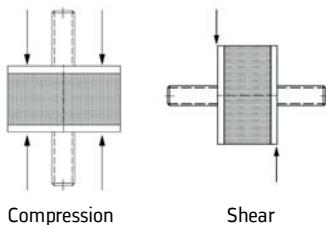
These mounts are part of a range of circular rubber mounts that represent one of the most versatile of all vibration isolators and application. A wide range of sizes coupled with alternative rubber hardness and shapes provides solutions to numerous standard applications.

They are supplied in natural rubber of 55 to 60 shore hardness and which has a superior resistance against ozone and sunlight. They come with zinc plated or passivated metal plates and, where applicable, studs.

All are manufactured and supplied locally by ACTOM under its own brand name *Vibrex*



These mounts are also referred to as *Bobbins* and are inexpensive. They are extensively used where maximum resilience and isolation is the key selection factor and oil or solvent resistance is not an issue.



The *Foot Mounts* are supplied in what we call the *parallel* and *narrow waist type*, whilst the *Buffer Mounts* are of the *conical type*.

The parallel and narrow waist type mounts are used in compression, shear or a combination of compression and shear. The latter combination provides an optimum for stability and isolation efficiency.

The *parallel type* is a free standing mount when bolting down is not required. The *narrow waist type* has a shape that has a higher ratio of metal bonded area to rubber cross-section at the waist than the parallel type. This results in less stress at the bond, more deflection under load, and better isolation. However size for size, the parallel type carries more load and is stiffer in the horizontal direction.

The *conical type* has a parabolic shape which provides soft absorption at light impact. These are normally not used as foot mounts but as *Buffers* in a horizontal position. At higher impact the change of shape increases the stiffness as the deflection increases. Occasional impact loads can be 3 to 4 times the static load, much less for frequent impacts.

The *Circular Mounts* comprises the *narrow waist type* and *parallel sides – Type A, B, and C*. The same as for the foot mounts, the circular mounts are also inexpensive and easy to install.



The *parallel sides type* circular mounts are used in compression or shear, but are not recommended for tension. They are not fail-safe so they should never be overloaded. Load in shear should not exceed about 25 % to 30 % of the rated load in compression. They are therefore generally not suitable for V-belt drives.

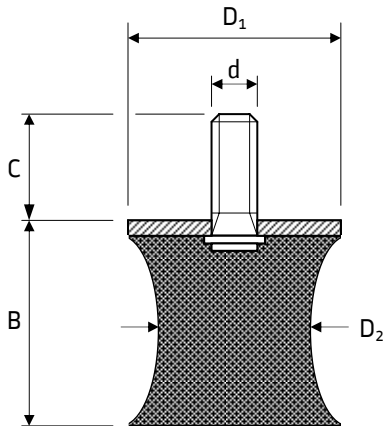
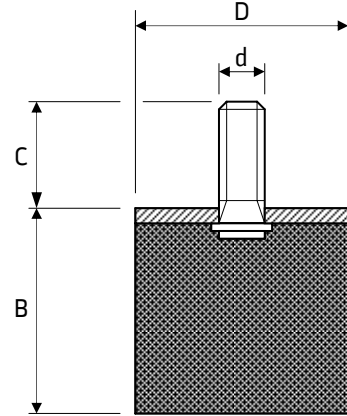
The *narrow waist type* circular mounts' shape gives a higher ratio of metal-bonded area to rubber cross-section at the "waist" and is therefore safer for loading in shear or tension than circular mounts with parallel sides. Softness in shear direction is effective when vibration is at right angles to the axis. Good for protecting instruments and delicate drives

Parallel, Narrow Waist and Conical Type Mounts

Parallel type

Vibrex Part No.	D [mm]	B [mm]	C [mm]	d [mm]	Load [kg]	Deflection [mm]
1121	12.5	15	13	M5	5	2
1251-60	25	22	19	M8	50	3
1251-70	25	22	19	M8	60	2.5
1301	30	17	20	M8	60	2.5
1302	30	30	23	M8	40	4.5
1303	30	25	23	M8	35	2.5
1401	40	28	22	M10	110	4
1501	50	20	28	M10	190	3
1502	50	42	15	M10	140	6
1531	53	30	37	M10	120	4
1601	60	25	22	M10	250	2.5
1731	73	27	20	M10	300	3
1751	75	40	38	M12	350	5
1801	80	25	37	M12	500	2.5
1802	80	65	37	M12	300	10

Note : Stud length may vary by not more than ± 2 mm due to commercial availability of studs and washers



Narrow Waist type

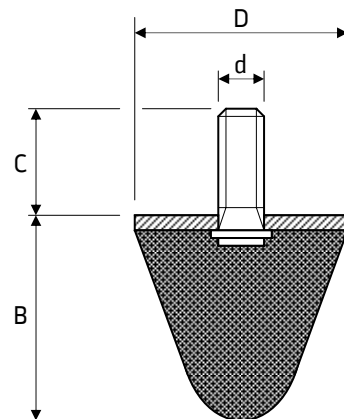
Vibrex Part No.	D1/D2 [mm]	B [mm]	C [mm]	d [mm]	Load [kg]	Deflection [mm]
1543	54/25	40	20	M8	40	4
1573	57/35	42	20	M8	75	5.5
1603	60/50	55	25	M10	120	7
1953	95/80	70	36	M16	400	10

Note : Stud length may vary by not more than ± 2 mm due to commercial availability of studs and washers

Conical type (Buffer)

Vibrex Part No.	D [mm]	B [mm]	C [mm]	d [mm]	Load [kg]	Deflection [mm]
1255-60	25.5	20	20	M8	30	4
1255-70	25.5	20	20	M8	50	3.5
1256	25.5	19	18	M8	30	4
1305	30	30	15	M6	50	5
1505	50	65	28	M8	150	20
1705	70	80	33	M12	200	25
1725	72	55.5	37	M12	300	20
1955	95	80	36	M12	425	25
11085	108	95	30	M12	400	20

Note : Stud length may vary by not more than ± 2 mm due to commercial availability of studs and washers

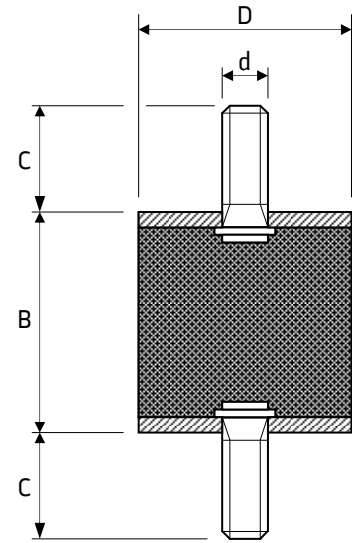


Parallel Sides Type A Circular Mounts

Dimensions, Load and Deflection

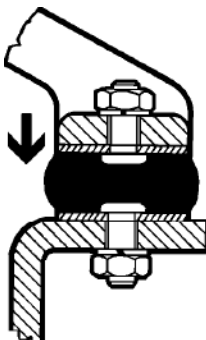
Vibrex Part No.	D [mm]	B [mm]	C [mm]	d [mm]	Compression		Shear	
					Load [kg]	Deflection [mm]	Load [kg]	Deflection [mm]
2101	10	10	10	M4	8	1.5	3	3
2121	12.5	15	13	M5	8	2.5	2	4
2151	15	15	13	M4	15	2.5	7	5
2201	20	20	15	M6	30	3	9	5
2202	20	25	15	M6	25	3	10	7
2251	25	22	18	M8	55	3	12	5
2251-1	25	22	18	M6	55	3	12	5
2252	25	20	18	M6	50	3	16	6
2253	25	30	18	M6	45	5	19	10
2254	25	22	1@10/1@20	M8	55	3	12	5
2300	30	15	23	M8	75	1.5	20	3.5
2301	30	20	20	M8	60	3	20	6
2302	30	30	20	M8	55	4	20	8
2303 (40° sh)	30	30	20	M8	25	3.5	10	8
2400	40	28	47	M10	115	4	28	6
2401	40	28	23	M10	115	4	28	6
2401-1	40	28	1@23/1@45	M8	115	4	28	6
2401-2	40	28	1@23/1@45	M10	115	4	28	6
2402	40	30	23	M8	130	4.5	37	8
2501	50	30	25	M10	220	4.5	60	8
2502	50	40	25	M10	200	6.5	80	14
2503 (40° sh)	50	40	25	M10	75	5	25	11
2581	58	50	22	M10	150	6	70	12
2601	60	25	28	M10	350	3	90	6
2602	60	36	23	M10	150	3.5	30	3.5
2651	65	34	23	M10	430	3	80	6
2741	74	50	37	M12	300	7	180	6
2751	75	40	37	M12	525	6	175	12
2752	75	65	37	M12	275	7	90	12
2753	75	40	25	M16	525	6	175	12
21001 (40° sh)	100	40	45	M16	580	5	145	10
21002	100	55	41	M16	910	9	240	15
21003	100	70	60	M16	400	7	160	12
21004	100	60	50	M16	500	8	150	20

Note : Stud length may vary by not more than ± 2 mm due to commercial availability of studs and washers

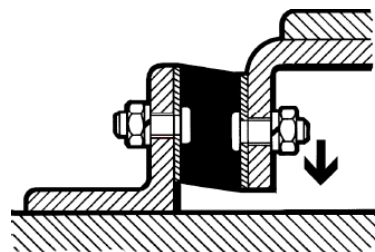


Parallel Sides – Type A

Compression



Shear



Foot Mounts, Buffers and Narrow Waist Mounts – Circular Parallel Sides – Type A

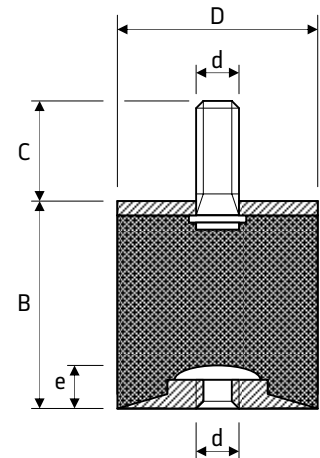
Parallel Sides Type B and C Circular Mounts

Dimensions, Load and Deflection

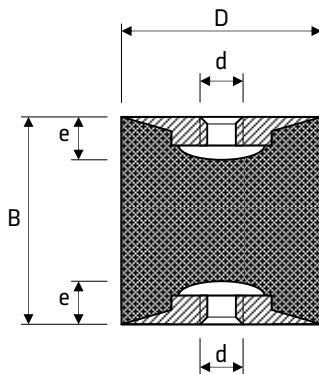
Vibrex Part No.	D [mm]	B [mm]	C [mm]	d [mm]	e [mm]	Compression		Shear	
						Load [kg]	Deflection [mm]	Load [kg]	Deflection [mm]
2105	10	12	10	M4	4	8	1.5	3	3
2205	20	20	15	M6	6	25	2.5	12	6
2206	20	25	15	M6	6	20	3	9	7
2255	25	25	18	M6	6	40	3	20	9
2305	30	20	20	M8	8	70	2.5	28	6
2306	30	30	20	M8	8	60	4	28	10
2405	40	28	23	M10	10	115	4	28	6
2505	50	30	28	M10	10	200	4	78	10
2506	50	50	25	M10	10	170	7	78	18
2605	60	60	22	M10	10	150	8	68	20
2745	74	50	37	M12	12	300	7	115	17
2756	75	40	37	M12	12	525	6	175	12
21005	100	40	41	M16	16	1000	5	310	14
21006	100	60	35	M16	16	500	8	150	20

Note : Stud length may vary by not more than ± 2 mm due to commercial availability of studs and washers

Parallel Sides – Type B

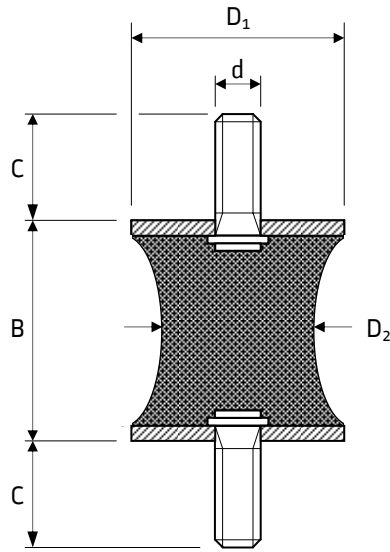


Parallel Sides – Type C



Vibrex Part No.	D [mm]	B [mm]	e [mm]	d [mm]	Compression		Shear	
					Load [kg]	Deflection [mm]	Load [kg]	Deflection [mm]
2207	20	25	6	M6	23	3	12	8
2208	20	15	5	M5	25	2	9	3.5
2257	25	20	6	M6	33	2	15	5
2307	30	30	8	M8	55	3	28	10
2327	32	21	10	M8	40	2	20	4
2407	40	40	8	M8	95	4	50	14
2408	40	30	8	M8	90	2.5	38	8
2507	50	48	10	M10	150	5	80	17
2508	50	40	10	M10	130	3.5	60	10
2509	50	40	12	M12	130	3.5	60	10
2757	75	48	12	M12	380	5	175	17
21007	100	48	16	M16	770	5	310	17

Narrow Waist Type Circular Mounts

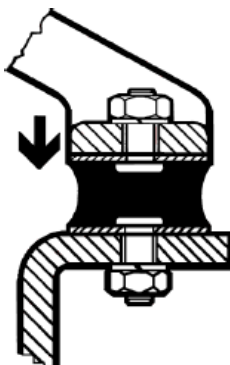


Narrow Waist Type

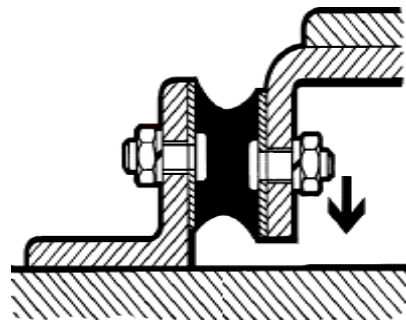
Vibrex Part No.	D ₁ /D ₂ [mm]	B [mm]	C [mm]	d [mm]	Compression		Shear	
					Load [kg]	Deflection [mm]	Load [kg]	Deflection [mm]
2203	21/13	18	20	M6	12	2.5	3	3
2323	32/23	21	23	M8	40	3	6	3
2403	40/20	23	27	M10	30	5	3	4
2573	57/25	43	23	M8	40	4	7	5
2574	57/35	42	22	M8	75	5	17	5
2603	60/49	60	22	M10	150	8	45	10
2803	80/70	70	46	M14	260	9	55	10
2953	95/80	73	36	M16	400	10	80	10

Note : Stud length may vary by not more than ± 2 mm due to commercial availability of studs and washers

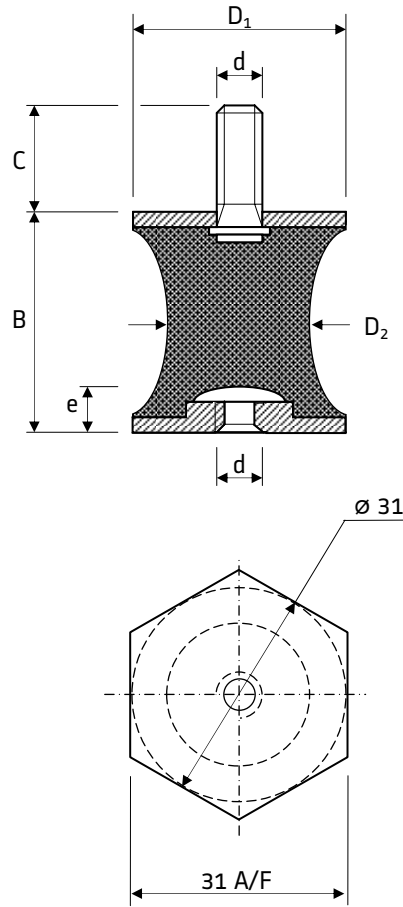
Compression



Shear



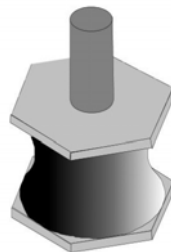
Narrow Waist Type Hexagonal Mounts



Dimensions, Load and Deflection

Vibrex Part No.	D ₁ /D ₂ [mm]	B [mm]	C [mm]	d [mm]	e [mm]	Compression		Shear	
						Load [kg]	Deflection [mm]	Load [kg]	Deflection [mm]
2324 - 45° sh	31/23	21	18	M8	11	40	3	6	3
2324 - 60° sh	31/23	21	18	M8	11	40	3	6	3

Note : Stud length may vary by not more than ± 2 mm due to commercial availability of studs and washers



ACTOM

ACTOM Mechanical Equipment

4 Branch Road, Driehoek, Germiston, 1401 P.O. Box 1300, Germiston, South Africa, 1400
 Tel : +27 11 8783000 Fax : +27 11 8783001 E-mail : arnotavs@actom.co.za