

MECHANICAL EQUIPMENT

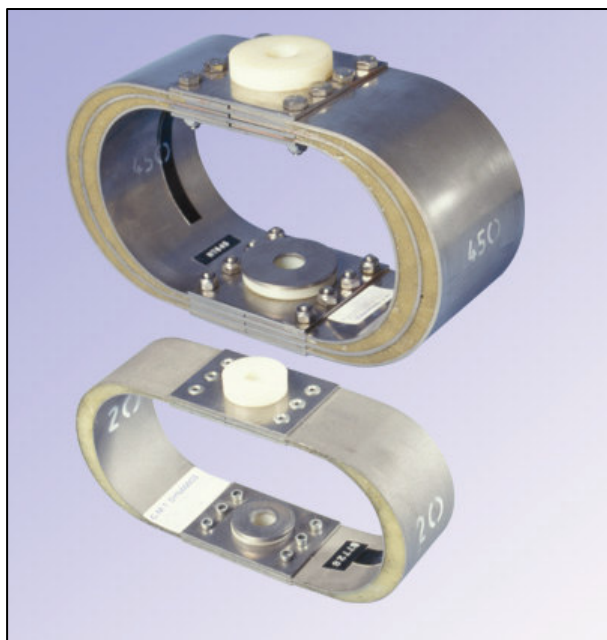
Products

X & XM mounts

This is only an overview of the range.
For full details on dimensions,
performance or full data sheets

please contact us

Type 'X'



DESCRIPTION

The Type 'X' mount employs two or more leaf springs used in opposing pairs to form an elliptical leaf spring assembly. The spaces between the leaves are filled with a specially developed damping compound.

There are eight standard sizes of 'X' mount giving a load range of between 9 and 550 kg. These sizes are divided into three sub-groups based on their dimensions, with groups one and two being 51 mm (2") wide and group three being 102 mm (4") wide: 10 and 20; 45 70 110; 180 320 450.

The standard range has been augmented to provide a wider load range and different options based upon the physical size of the mounts.

APPLICATION

Approved by the MoD for Naval use these mounts were designed and developed primarily to protect delicate electronic equipment against shock. They are also used in submarines for suspension and elimination of noise in confined spaces. In addition, they are used in engineering applications throughout industry, giving protection against starting torques, overload surges etc.

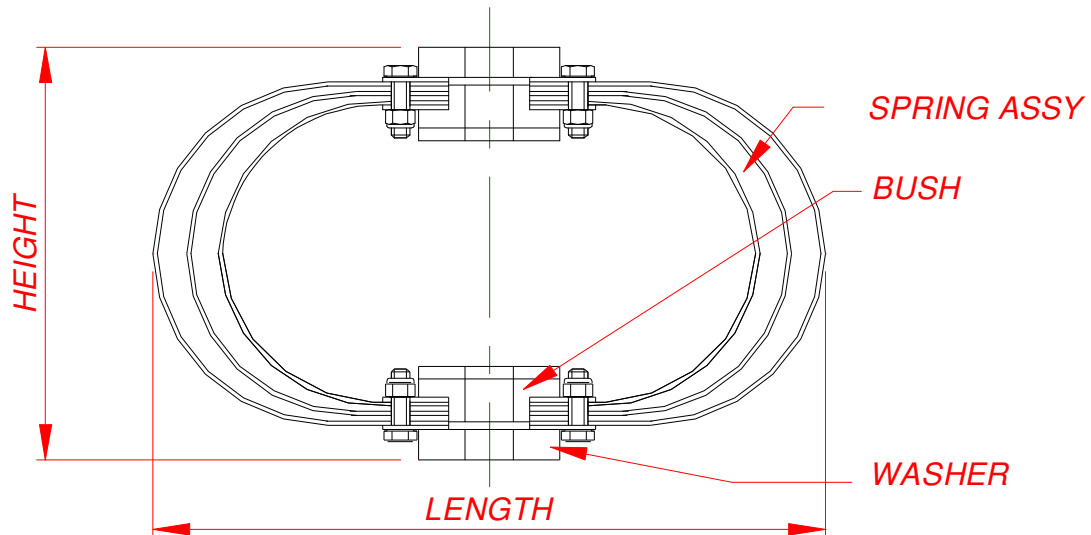
The 'X' mount provides a space efficient shock mount design, which has unrivalled levels of damping. It also provides vibration isolation, not normally a feature of other shock mounts.

INSTALLATION

The Type 'X' mount can be installed in any orientation allowing equipment to be mounted to the deck, bulkhead, or deck head. Combinations can also be used where equipment geometry requires it e.g. equipment mounted to the deck and to the bulkhead.

The 'X' mount uses a simple single bolt fixing method on each side of the mount which facilitates the installation of the equipment on board ship.

Type 'X'



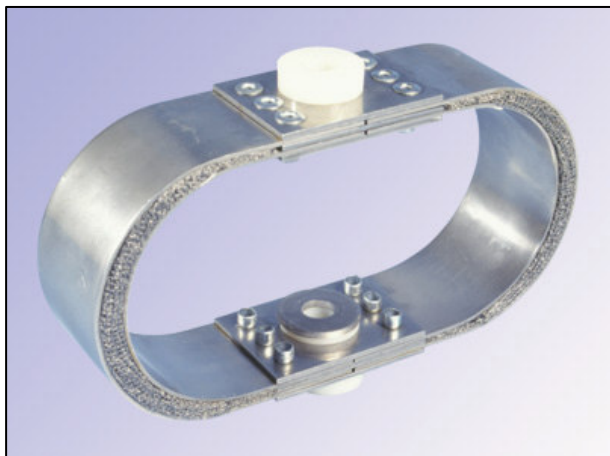
Standard Range

| Caparo Dynamics Part No. | NATO Stock Number | Rating | Supported Mass Range | Dimensions | | | | | Approx. Weight |
|--------------------------|-------------------|--------|----------------------|---------------|-----------------|--------|-------|------|----------------|
| | | | | Height Loaded | Height Unloaded | Length | Width | Bolt | |
| | | kg | kg | | | | | | kg |
| 14/900U | 5340-99-923-5717 | 10 | 9 - 18 | 107 | 114 | 203 | 51 | M8 | 0.68 |
| 14/901U | 5340-99-923-5718 | 20 | 18 - 35 | 106 | 114 | 203 | 51 | M8 | 0.8 |
| 14/902U | 5340-99-923-5719 | 45 | 35 - 55 | 124 | 133 | 216 | 51 | M12 | 1.02 |
| 14/903U | 5340-99-923-5720 | 70 | 55 - 90 | 124 | 133 | 216 | 51 | M12 | 1.13 |
| 14/904U | 5340-99-923-5721 | 110 | 90 - 135 | 122 | 133 | 216 | 51 | M12 | 1.25 |
| 14/905U | 5340-99-520-8429 | 180 | 135 - 250 | 185 | 190 | 297 | 102 | M20 | 5.9 |
| 14/906U | 5340-99-520-8428 | 320 | 250 - 380 | 186 | 190 | 297 | 102 | M20 | 6.58 |
| 14/907U | 5340-99-520-8427 | 450 | 380 - 550 | 184 | 190 | 297 | 102 | M20 | 7.26 |

Special Range

| Caparo Dynamics Part No | NATO Stock Number | Rating | Supported Mass Range | Dimensions | | | | | Approx. Weight |
|-------------------------|-------------------|--------|----------------------|---------------|-----------------|--------|-------|------|----------------|
| | | | | Height Loaded | Height Unloaded | Length | Width | Bolt | |
| | | kg | kg | | | | | | kg |
| 14/899U | 5340-99-665-3921 | 6 A | 4 - 6 | 73 | 82 | 134 | 25 | M8 | 0.13 |
| 14/897U | Not Allocated | 6 B | 4 - 6 | 75 | 82 | 134 | 25 | M8 | 0.13 |
| 14/898U | Not Allocated | 6 S | 5.4 - 10.8 | 107 | 114 | 203 | 30 | M8 | 0.45 |
| 14/909U | 5340-99-591-2857 | 150 | 135 - 175 | 122 | 134 | 216 | 51 | M12 | 1.25 |
| 14/908U | 5340-99-523-6107 | 450 | 380 - 550 | 200 | 209 | 365 | 51 | M20 | 7.2 |

Type 'XM'



DESCRIPTION

The Type 'XM' mount employs two or more leaf springs used in opposing pairs to form an elliptical leaf spring assembly. The spaces between the leaves are filled knitted mesh cushions to provide damping. This allows the mount to be used in areas where high or low temperatures are a concern, and the standard Type 'X' is not suitable.

There are eight sizes of 'XM' mount giving a load range of between 9 and 550 kg. These sizes are divided into three sub-groups based on their dimensions, with groups one and two being 51 mm (2") wide and group three being 102 mm (4") wide: 10 and 20; 45 70 110; 180 320 450.

Caparo Engineering Limited holds the Patent for this design of mount.
Patent Number: GB2330642

APPLICATION

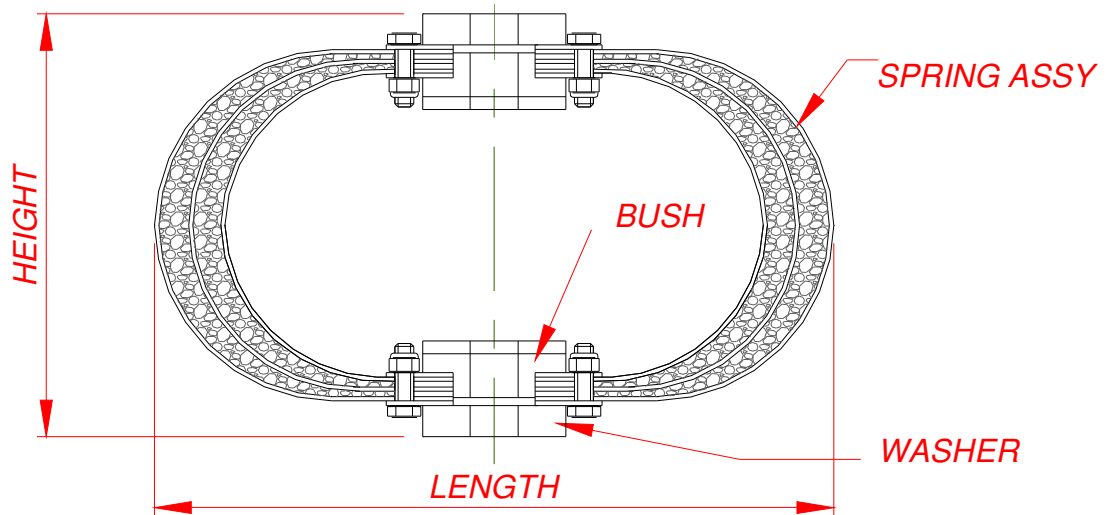
The 'XM' mount is designed to be interchangeable with the Type 'X' providing the same a space efficient shock mount design.

INSTALLATION

The Type 'XM' mount can be installed in any orientation allowing equipment to be mounted to the deck, bulkhead, or deck head. Combinations can also be used where equipment geometry requires it e.g. equipment mounted to the deck and to the bulkhead.

The 'XM' mount uses a simple single bolt fixing method on each side of the mount which facilitates the installation of the equipment on board ship.

Type 'XM'



| Caparo Dynamics Part No. | NATO Stock Number | Rating | Supported Mass Range | Dimensions | | | | | Approx. Weight |
|--------------------------|-------------------|--------|----------------------|---------------|-----------------|--------|-------|------|----------------|
| | | | | Height Loaded | Height Unloaded | Length | Width | Bolt | |
| | | kg | kg | | | | | | kg |
| 14/900MESH | Not Allocated | 10 | 9 - 18 | 107 | 114 | 203 | 51 | M8 | 0.68 |
| 14/901MESH | Not Allocated | 20 | 18 - 35 | 106 | 114 | 203 | 51 | M8 | 0.8 |
| 14/902MESH | Not Allocated | 45 | 35 - 55 | 124 | 133 | 216 | 51 | M12 | 1.02 |
| 14/903MESH | Not Allocated | 70 | 55 - 90 | 124 | 133 | 216 | 51 | M12 | 1.13 |
| 14/904MESH | Not Allocated | 110 | 90 - 135 | 122 | 133 | 216 | 51 | M12 | 1.25 |
| 14/905MESH | Not Allocated | 180 | 135 - 250 | 185 | 190 | 297 | 102 | M20 | 5.9 |
| 14/906MESH | Not Allocated | 320 | 250 - 380 | 186 | 190 | 297 | 102 | M20 | 6.58 |
| 14/907MESH | Not Allocated | 450 | 380 - 550 | 184 | 190 | 297 | 102 | M20 | 7.26 |