

MECHANICAL EQUIPMENT

Products

Air Conditioning & HVAC

Spring Mounts

Type SLR 25mm deflection

Type SLR 25mm Deflection Spring Mounts



The SLR restrained mounting is designed for use with equipment such as chillers or boilers which have different weights when empty or filled with water, and equipment exposed to strong winds on roof tops such as cooling towers.

The Type SLR mounts were originally designed by Mason Industries, Inc in the USA and now also manufactured locally by ACTOM.

The springs are located in a steel housing and the equipment stands on a separate load plate. The housing and load plate are separated by 10mm steel spacers, which establish both the installation and operating height. Two threaded studs fitted with washers and locknuts project down from the load plate through holes in the housing and serve to lock them together (separated by the spacers).



Markets

- Air conditioning
- Industrial

Applications

- Fans
- HVAC units
- Pumps
- Compressors
- Chillers
- Transformers

When the equipment is in position and ready for commissioning the locknuts can be slackened off. Then the spring mountings can be placed in position and the adjustment bolts wound out anticlockwise to load the springs, until the load plate lifts just enough to free the spacers. The equipment is then isolated. Its elevation has remained constant throughout. The position of the locknuts can then be adjusted so that in the event of the equipment weight being reduced, or of the wind threatening to lift the equipment, the vertical movement is restrained.

If the equipment weight is subsequently to be reduced, for example by emptying water from a boiler, the locknuts can be retightened beforehand in order to maintain the same elevation at the reduced load.

Type SLR 25mm Deflection Spring Mounts

Selection Table

Type	Size	No Of Springs	Rated Load [kg]	Rated Deflection [mm]	Spring Rate [kg/mm]	Spring Color
SLR-1-	225	1	100	45	2.2	Blue
	435	1	200	49	5.1	Grey
	735	1	320	35	9.2	White
	1000	1	445	26	17.2	Black
	1350	1	615	25	24.6	Yellow
	1675	1	765	25	30.6	Yellow ¹
	2100	1	950	25	38.0	Yellow ²
SLR-2-	450	2	200	45	4.4	Blue
	870	2	400	39	10.2	Grey
	1470	2	640	35	18.4	White
	2000	2	890	26	34.4	Black
	2700	2	1230	25	49.2	Yellow
	3350	2	1530	25	61.2	Yellow ¹
	4200	2	1900	25	76.0	Yellow ²
SLR-4-	2940	4	1280	35	36.8	White
	4000	4	1780	26	68.8	Black
	5400	4	2460	25	98.4	Yellow
	6700	4	3060	25	122.4	Yellow ¹
	8400	4	3800	25	152.0	Yellow ²
SLR-6-	10050	6	4600	25	184.2	Yellow ¹
	12600	6	5710	25	228.5	Yellow ²

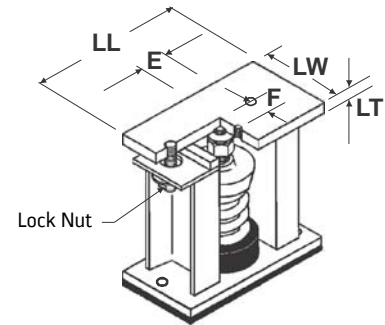
All mounts can be tagged for identification, if specified

- 1 with grey inner spring
- 2 with red inner spring

Standard finish is hot-dipped galvanised

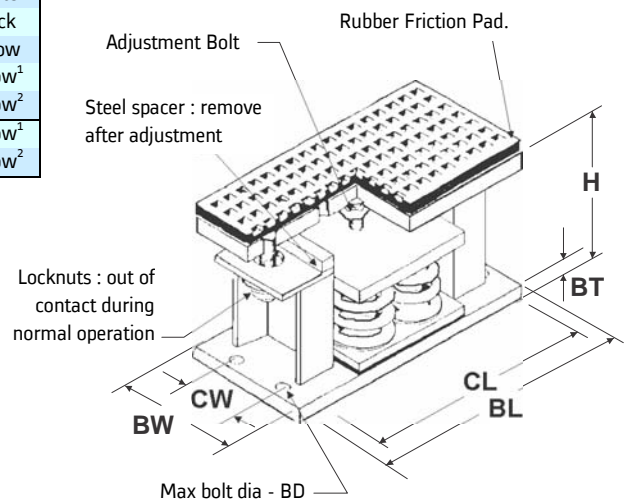
Larger sizes can be made to order. Dimensions are not published because they can be changed to meet the customer's particular requirement.

The mountings illustrated are SLR-1 and SLRW-4. Their top plates have been cross-sectioned to show the location of the steel spacers and the detail of the adjustment bolt and threaded studs.



SLR-1 & 2 have 2 bolt holes
2 Holes in top plate tapped TH unless otherwise specified.

SLR-1



SLR-4 & 6 have 4 bolt holes

SLRW-4

Dimensions

Size	Base Plate						Load Plate		SLR only					SLRW only		Adjustment Bolt Size	Lock nuts
	BL	BW	CL	CW	BT	BD	LL	LW	E	F	H	LT	TH	H	LT		
SLR-1	234	100	180	-	6	M16	234	100	25	25	185	10	M16	191	16	M20 x 90	M16
SLR-2	320	100	270	-	10	M16	320	100	25	25	185	10	M16	191	16	M20 x 90 (2)	M16
SLR-4	330	150	294	114	10	M16	320	100	25	25	185	10	M16	191	16	M20 x 90	M16
SLR-6	450	150	414	114	10	M16	426	150	*	*	185	12	M20	191	18	M20 x 90 (2)	M20

* Hole spacing can be specified