

MECHANICAL EQUIPMENT

# Products

## Air Conditioning & HVAC

### Spring Mounts

#### Type SLH High Deflection

# Type SLH High Deflection Spring Mounts



Mason Type SLH mounts are high deflection spring mounts used when low dynamic natural frequencies are required, down to or even below 2Hz.

SLH403 to 418 designed for deflections up to 50 mm, and SLH426 to 436 for deflections up to 75 mm, are rated for loads up to 5720 kg.

The Type SLH mounts were originally designed by Mason Industries, Inc in the USA and now also manufactured locally by ACTOM Mechanical Equipment.



Applications for high deflection mounts include slow speed ( under 500 rpm ) machines such as or reciprocating compressors, and all types of equipment located in flexible structures or in sensitive buildings such as high rise offices, luxury hotels, hospitals and recording studios.

## Markets

- Air conditioning
- Industrial

## Applications

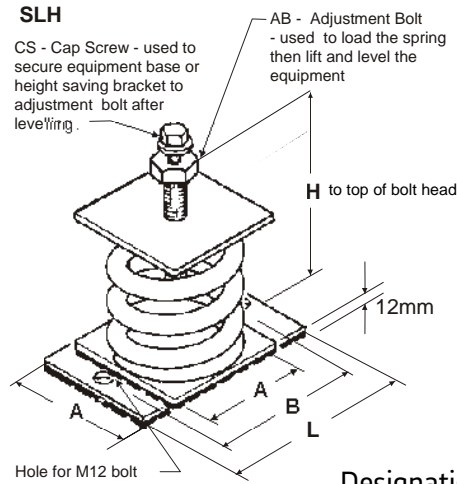
- Fans
- HVAC units
- Pumps
- Compressors
- Chillers
- Transformers

All Type SLH mounts are designed so that at the rated load and deflection ( 50 or 75 mm ) there is a full 50% additional travel ( and for dynamic loading ) before the spring will go solid. Furthermore even when solid the spring material will never be overstressed.



Type SLH springs are also very stable. At the rated load, the spring diameter is usually equal to or more than its compressed height. This means that in the loaded condition SLH mounts are at least as stiff in the horizontal direction as in the vertical direction. Springs that are not so conservatively designed can be overstressed and may not be stable.

# Type SLH High Deflection Spring Mounts



Dimensions in mm

Designation SLHH is used when base plate with bolt holes is required

	Size	Rated Load	Spring Rate	Spring only		SLH & SLHH				SLHH only	
				OD	Free Height	Free & Operating Height	Width	Adjustment Bolt	Cap Screw	Bolt Centre	Length
						H	A	AB	CS	B	L
Rated Deflection 50 mm	403	75	1.5	95	140	193	100	M24 x 125	M12 x 30	146	180
	404	105	2.1	95	140	193	100	M24 x 125	M12 x 30	146	180
	405	135	2.7	95	140	193	100	M24 x 125	M12 x 30	146	180
	406	185	3.7	95	140	193	100	M24 x 125	M12 x 30	146	180
	407	270	5.4	95	140	193	100	M24 x 125	M12 x 30	146	180
	408	335	6.7	114	165	218	130	M24 x 125	M12 x 30	172	206
	409	450	9.0	114	165	218	130	M24 x 125	M12 x 30	172	206
	410	605	12.1	127	165	218	130	M24 x 125	M12 x 30	172	206
	411	850	17.0	127	180	233	130	M24 x 125	M12 x 30	172	206
	412	1060	21.2	140	180	235	150	M24 x 125	M12 x 30	198	232
	413	1315	26.3	150	215	270	150	M24 x 125	M12 x 30	198	232
	414	1850	37.0	170	215	270	150	M24 x 125	M12 x 30	198	232
	415	2480	49.6	170	215	285	180	M30 x 150	M16 x 40	222	256
416	3465	69.3	180	225	295	180	M30 x 150	M16 x 40	222	256	
417	4315	86.3	195	250	322	200	M30 x 150	M16 x 40	248	282	
418	5720	114.4	200	275	347	200	M30 x 150	M16 x 40	248	282	
Rated Deflection 75 mm	426	95	1.2	114	180	233	130	M24 x 150	M12 x 30	172	206
	427	135	1.85	114	180	233	130	M24 x 150	M12 x 30	172	206
	428	180	2.4	127	187	240	130	M24 x 150	M12 x 30	172	206
	429	260	3.45	127	187	240	130	M24 x 150	M12 x 30	172	206
	430	360	4.85	140	210	265	150	M24 x 150	M12 x 30	198	232
	431	580	7.7	140	210	265	150	M24 x 150	M12 x 30	198	232
	432	765	10.2	150	210	265	150	M24 x 150	M12 x 30	198	232
	433	1000	13.35	170	240	301	180	M24 x 150	M12 x 30	222	256
	434	1450	19.35	170	240	301	180	M24 x 150	M12 x 30	222	256
	435	1930	25.75	195	290	362	200	M30 x 150	M16 x 40	248	282
436	3100	41.4	195	290	362	200	M30 x 150	M16 x 40	248	282	

# ACTOM

ACTOM Mechanical Equipment

4 Branch Road, Driehoek, Germiston, 1401 P.O. Box 1300, Germiston, South Africa, 1400  
Tel : +27 11 8783000 Fax : +27 11 8783001 E-mail : arnotavs@actom.co.za