

Products

Air Conditioning & HVAC

Hanger

Type IM

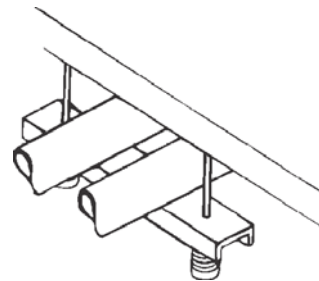
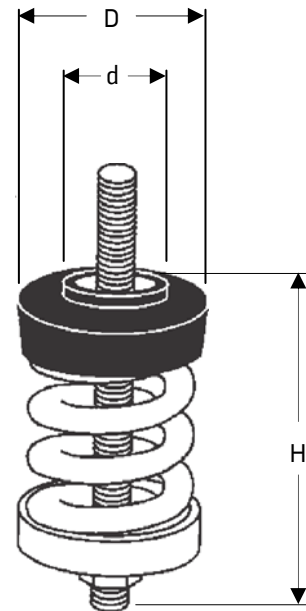
Type IM Spring Hangers

Selection Table

Type	Size	Rated Capacity [kg]	Rated Deflection [mm]	Spring Rate [kg/mm]	Spring Color
IMA	12	5	25	0.2	Red
	25	11	25	0.44	Orange
IMA	45	20	40	0.5	Blue
	75	34	38	0.9	Orange
	125	56	33	1.7	Red
	200	90	29	3.1	Black
	310	152	25	6.1	Yellow
IMB	60	27	54	0.5	Grey
	140	64	49	1.3	Orange
	280	128	40	3.2	Green
	450	207	33	6.3	Red
	750	340	30	11.3	White
	1000	450	25	18.0	Blue
IMC	110	50	52	0.95	Orange
	225	100	45	2.2	Blue
	435	200	39	5.1	Grey
	735	320	35	9.2	White
	1000	445	26	17.2	Black
	1350	615	25	24.6	Yellow
	1675	765	25	30.6	Yellow ¹
2100	950	25	38.0	Yellow ²	

- 1 with grey inner spring All hangers can be tagged for identification, if specified
 2 with red inner spring

Type IM



Steelwork must be drilled to fit projecting lip
 (diameter 'd') to ensure no metal to metal contact

Pipe Trapeze using IM

Dimensions in mm

Type	Size	H	D	d	MRD Max Rod Dia
IMA	12 & 25	64	62	33	10
IMA	41 – 310	90	62	33	10
IMB	60 - 1000	117	80	48	14
IMC	110 - 2100	132	92	60	20