

MECHANICAL EQUIPMENT

Products

Air Conditioning & HVAC

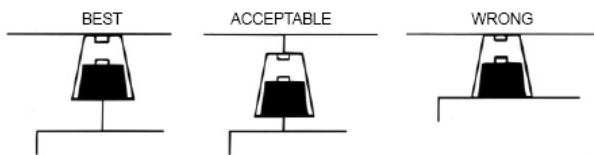
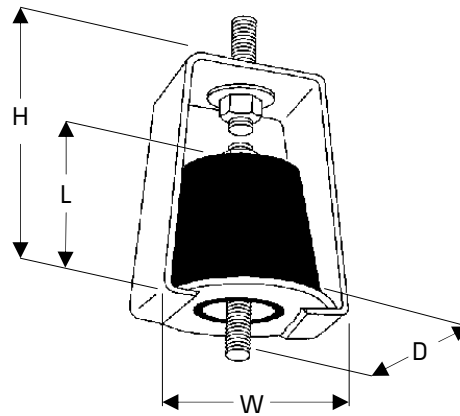
Hanger

Type HD

Type HD Rubber Hangers

Selection Table

Type	Size	Load Range [kg]	Deflection [mm]
HDA	Green Red	20 – 35 35 – 70	6
HDB	Red Yellow	90 – 180 140 – 270	8
HDC	White Yellow	200 – 375 350 – 700	10
HDD	Yellow	600 -1150	10



Install hangers with a gap on the underside. This allows the isolators to operate efficiently. The gaps also compensate for minor misalignment. Direct contact of the unit and hanger box “short circuits” the isolation.

Dimensions

Type & Size	H [mm]	W [mm]	D [mm]	L [mm]	Max Rod Dia
HDA	72	56	50	55	M10
HDB	115	108	50	75	M12
HDC	115	108	50	75	M12
HDD	159	121	65	90	M20

ACTOM

ACTOM Mechanical Equipment

4 Branch Road, Driehoek, Germiston, 1401 P.O. Box 1300, Germiston, South Africa, 1400
 Tel : +27 11 8783000 Fax : +27 11 8783001 E-mail : arnotavs@actom.co.za