

MECHANICAL EQUIPMENT

Products

Air Conditioning & HVAC

Spring Mounts

Type C

Type C Spring Mounts



Type CE

Type C spring mounts are available in 5 sizes with 1, 2 or 4 springs giving load capacities from 20 kg to 3800 kg and spring deflections from 25 mm to over 50 mm depending on their loading.

C type mounts use the type A, B and C range of springs. The spring or springs are enclosed in a robust cast iron housing to provide lateral strength. Sponge rubber inserts between the upper and lower castings limit movement during running up to speed and shutting down.

Type C spring mounts have an external adjustment bolt and lock nut which are convenient when the bolt is accessible from above. The adjustment bolt is used to compress the spring until it accepts the load and then to adjust all mountings so that the equipment is level.

The standard adjustment bolt and locknut are generally suitable for equipment bases up to 30 mm thick, depending on spring compression. Longer bolts can be supplied on request.

The Type C spring mounts were originally designed by Mason Industries, Inc and now also manufactured locally by ACTOM Mechanical Equipment.



Markets

- Air conditioning
- Industrial

Applications

- Fans
- Centrifugal Pumps
- Compressors
- Diesel Generator Sets
- Chillers
- Blowers
- Transformers



Type C

When external adjustment is not practical, specify *Type CIW spring mount* with internal adjustment and a Type W rubber friction pad cemented on top of the mounting. The internal adjustment nut is reached with an open spanner through the side opening.

Both the Type C and CIW are supplied with a Type W friction pad on the base of the lower casing. Two slotted holes are provided for locating or bolting down if required. CE and CIWE have four holes. However, a correctly selected Type C mount is absolutely safe and will never “walk”.

Type C Spring Mounts

Selection Table

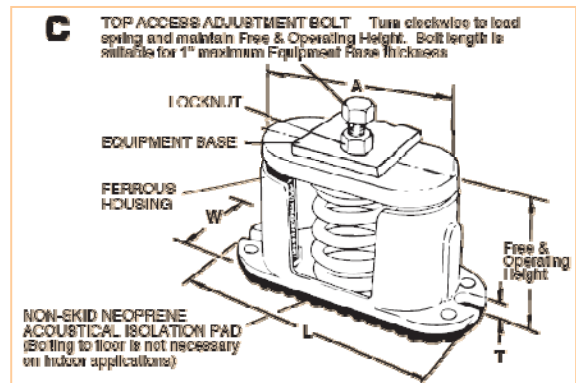
Type	Size	No off 'C' size Springs	Rated Load [kg]	Rated Deflection [mm]	Spring Rate [kg/mm]	Spring Color
CA	45	1	20	40	0.5	Blue
	75	1	34	38	0.9	Orange
	125	1	56	33	1.7	Red
	200	1	90	29	3.1	Black
	310	1	150	25	6.1	Yellow
CB	60	1	27	54	0.5	Grey
	140	1	64	49	1.3	Orange
	280	1	128	40	3.2	Green
	450	1	207	33	6.3	Red
	750	1	340	30	11.3	White
	1000	1	450	25	18.0	Blue
CC	110	1	50	52	0.95	Orange
	225	1	100	45	2.2	Blue
	435	1	200	39	5.1	Grey
	735	1	320	35	9.2	White
	1000	1	445	26	17.2	Black
	1350	1	615	25	24.6	Yellow
	1675	1	765	25	30.6	Yellow ¹
	2100	1	950	25	38.0	Yellow ²
CD	450	2	200	45	4.4	Blue
	870	2	400	39	10.2	Grey
	1470	2	640	35	18.4	White
	2000	2	890	26	34.4	Black
	2700	2	1230	25	49.2	Yellow
	3350	2	1530	25	61.2	Yellow ¹
	4200	2	1900	25	76.0	Yellow ²
CE	2940	4	1280	35	36.8	White
	4000	4	1780	26	68.8	Black
	5400	4	2460	25	98.4	Yellow
	6700	4	3060	25	122.4	Yellow ¹
	8400	4	3800	25	152.0	Yellow ²

1 with grey inner spring
2 with red inner spring

All mounts can be tagged for identification, if specified



Type CIW mounts have “side access internal” adjustment bolts. Turn clockwise to load spring and maintain Free & Operating Height.



Type C mounts have “external” adjustment bolts, used to load the spring and lift the top casting. When all mountings are elevated a small final adjustment will level the equipment. Then secure the nut.

Dimensions

Type	Overall Length L	Top Plate Length A	Bolt Centres	Width W	Free & Operating Height		Base & Pad Thickness T	Adjustment Bolt Size	Holding Down Bolts
					Type C	Type CIW			
CA	149	100	125	56	105	120	14	M10	2 x M8
CB	205	145	185	75	135	150	16	M12	2 x M12
CC	223	168	200	90	150	165	16	M16	2 x M12
CD	297	247	275	90	160	180	16	M16	2 x M12
CE	324	305	(286 x 128)	167	160	180	16	M20	4 x M12