

MECHANICAL EQUIPMENT

# Products

## Air Conditioning & HVAC

Hanger

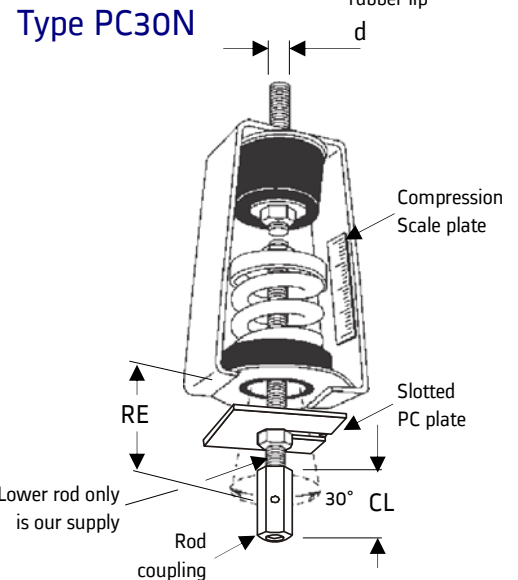
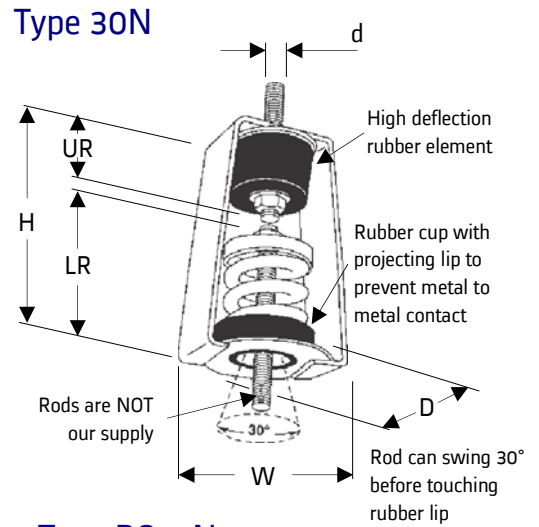
Type 30N and PC30N

# Type 30N and PC30N Spring Hangers

Selection Table

Type	Size	Rated Capacity [ kg ]	Rated Deflection [ mm ]	Spring Rate [ kg/mm ]	Spring Color	Average Rubber Deflection [ mm ]
30N	12	5	25	0.2	Red	2
	25	11	25	0.44	Orange	2
	41	18.5	29	0.64	Red	4
	56	25	26	0.95	Black	4
	95	48	25	1.9	Green	4
	138	64	33	1.95	White	5
	278	125	27	4.6	Grey	5
	336	148	25	5.9	Red	5
	445	200	32	6.2	Brown	5
	800	350	27	13.0	Orange	5
1500	665	34	19.6	Red	7	
2060	936	28	34.0	Black	7	

All hangers can be tagged for identification, if specified



LR = Allowance for length of lower rod above base of hanger – our supply only with PC30N

UR = Allowance for length of upper rod below top of hanger – rod not our supply

d = Rod diameter ( M16 is standard for 30N and PC30N – 445 to 800. M12 can be supplied if specified )

RE = Rod extension – base of hanger to centre off rod coupling – our supply

CL = Length of rod coupling – our supply.

Prefix PC is used when pre-compression option is required.

Pre compression equipment comprises of slotted PC plate, threaded rod, top nut and lock nut, bottom nut, rod coupling and scale plate

Hanger supplied with spring pre-compressed to 80% of rated deflection, unless otherwise specified. Loosen nut and remove PC plate after hanger is fully loaded.

## Dimensions in mm

Type	Size	H	W	D	LR	d	PC30N only	
							RE	CL
30N	12 - 25	145	85	50	75	M10	110	45
	41 - 95	145	85	50	80	M10	105	45
	138 - 336	170	120	50	105	M12	130	45
	445 - 800	273	135	65	125	M16 ( M12 )	120	50 ( 45 )
	1500 - 2060	300	175	65	170	M20	120	50