

MECHANICAL EQUIPMENT

# Products

## Air Conditioning & HVAC

Hanger

Type 30 and PC30

# Type 30 and PC30 Spring Hangers

## Selection Table

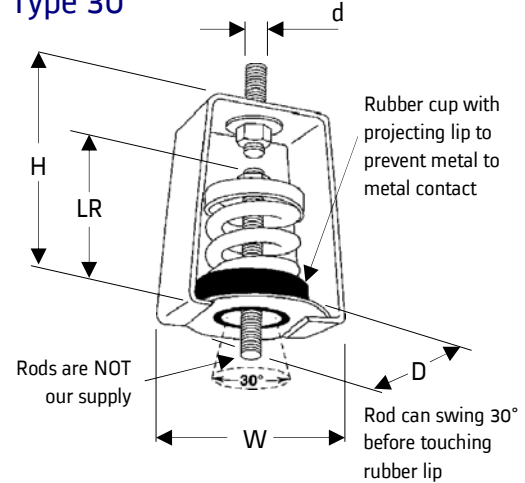
Type	Size	Rated Capacity [ kg ]	Rated Deflection [ mm ]	Spring Rate [ kg/mm ]	Spring Color
30	12	5	25	0.2	Red
	25	11	25	0.44	Orange
	41	18.5	29	0.64	Red
	56	25	26	0.95	Black
	95	48	25	1.9	Green
	138	64	33	1.95	White
	278	125	27	4.6	Grey
	336	148	25	5.9	Red
	445	200	32	6.2	Brown
	800	350	27	13.0	Orange
	1500	665	34	19.6	Red
2060	936	28	34.0	Black	

All hangers can be tagged for identification, if specified

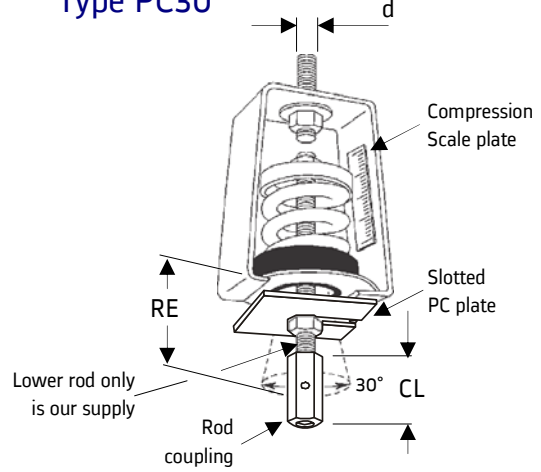
- LR = Allowance for length of lower rod above base of hanger – our supply only with PC30
- d = Rod diameter ( M16 is standard for 30 and PC30 – 445 to 800. M12 can be supplied if specified )
- RE = Rod extension – base of hanger to centre off rod coupling – our supply
- CL = Length of rod coupling – our supply.

Prefix PC is used when pre-compression option is required.  
Pre compression equipment comprises of slotted PC plate, threaded rod, top nut and lock nut, bottom nut, rod coupling and scale plate

### Type 30



### Type PC30



Hanger supplied with spring pre-compressed to 80% of rated deflection, unless otherwise specified. Loosen nut and remove PC plate after hanger is fully loaded.

## Dimensions in mm

Type	Size	H	W	D	LR	d	PC30 only	
							RE	CL
30	12 - 25	100	85	50	75	M10	110	45
	41 - 95	100	85	50	80	M10	105	45
	138 - 336	178	120	50	105	M12	130	45
	445 - 800	190	134	65	125	M16 ( M12 )	120	50 (45)
	1500 - 2060	230	165	65	170	M20	120	50