

MECHANICAL EQUIPMENT

Products

Sandwich, Lightweight
& Drop-In Mounts

MECHANICAL EQUIPMENT

Products

Industrial, Off Highway & Rail

Sandwich Mounts

Type A and B Sandwich Mounts



Type A and B sandwich mounts feature a rubber section sandwiched and bonded between plates of metal. They are designed to withstand very high compressive loads at low costs.

They can be used in compression or shear or combination of both, i.e. at an angle. This then combines the benefit of high load capacity in compression and extra deflection in shear.

The range of mechanical characteristics is governed by the hardness of the rubber and the number of intermediate metallic plates.

All are manufactured and supplied locally by Alstom under its own brand name *Vibrex*



Sandwich Mounts Key Notes

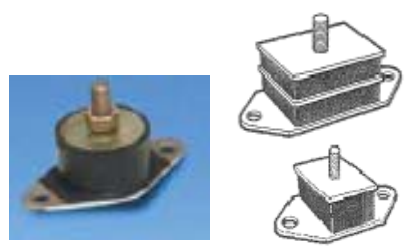
- Available in plate or stud fixings
- Can be loaded in Compression or Shear or Both
- Manufactured with or without intermediate plates to change the ratio of shear to compression stiffness.
- Large surface area.
- Suspended equipment is free to move in all directions.
- High ratio of axial stiffness to radial stiffness.
- Very high axial loads
- Very slim.
- Stackable mountings.

Markets

- Mining
- Industrial
- Off Highway
- Rail Industry

Applications

- Crushers
- Conveyors
- Hoppers
- Engines
- Bogie Suspension
- Generator Sets

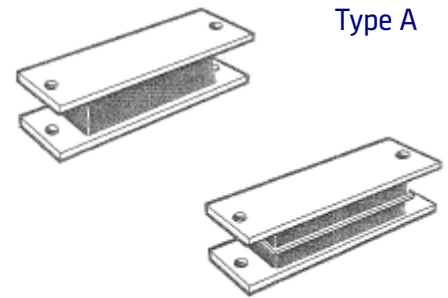


Type A and B Sandwich Mounts

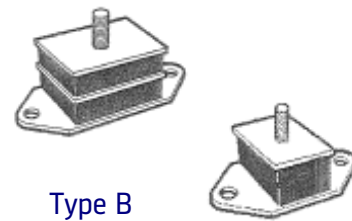
Selection Table

Type	Part No	Type of Loading	Load [kg]	Vertical Deflection [mm]
A	4001A (Green)	Compression	225	4.5
		45°	150	5
		Shear	30	6
	4001C (White)	Compression	360	4.0
		45°	250	4.5
4002	Compression	530	3.5	
	45°	350	4.5	
4002	Shear	60	5	
	Compression	530	3.5	
4002	45°	350	4.5	
	Shear	60	5	
4011	Compression	450	4	
	45°	370	6	
	Shear	95	8	

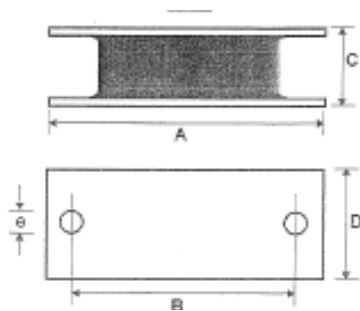
B	4023	Compression	150	3.5
		45°	130	5
		Shear	55	6.5
4024	Compression	160	2.5	
	45°	145	4	
	Shear Yellow	50	5	



Type A



Type B

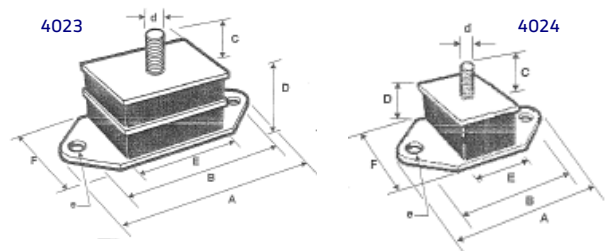


Dimensions in mm

Vibrex Part No	A	B	C	D	e
4001	152	130	42	50	10.5
4002	125	117	44	52	10.5
4011	107	85	46	57	10.5
4043	169	146	42	56	10.5

Dimensions in mm

Vibrex Part No	A	B	C	D	E	F	d	e
4023	106	86	32	35	50	70	M10	8.5
4024	81	61	18	25.5	38	54	M8	9.8



ACTOM

ACTOM Mechanical Equipment

4 Branch Road, Driehoek, Germiston, 1401 P.O. Box 1300, Germiston, South Africa, 1400
 Tel : +27 11 8783000 Fax : +27 11 8783001 E-mail : arnotavs@actom.co.za

MECHANICAL EQUIPMENT

Products

Industrial, Off Highway & Rail

Lightweight Mounts

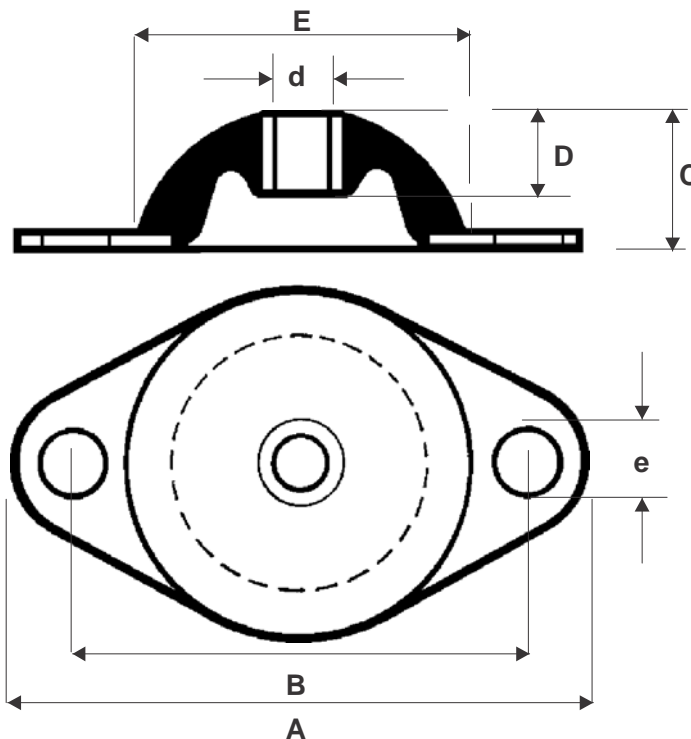
Light Weight Mounts

Small “bolt-down” mountings for instruments and other light weight equipment. These are locally manufactured by ACTOM Mechanical Equipment and sold under the Vibrex brand name.



Vibrex Part No.	Max Load [kg]	Max Deflection [mm]
8300 A - Green	5	3
8300 C - White	7	2
8500 A - Green	7	4
8500 D - Yellow	12	2.5
8561 C - White	40	2.5
8561 D - Yellow	50	1.5

Vibrex Part No.	A	B	C	D	E	d	e
8300	50	40	16	8	30	6	6.1
8500	82	66	20	13	50	7.8	8.2
8561	95	76	25	20	60	12.2	9.0



ACTOM

ACTOM Mechanical Equipment

4 Branch Road, Driehoek, Germiston, 1401 P.O. Box 1300, Germiston, South Africa, 1400
 Tel : +27 11 8783000 Fax : +27 11 8783001 E-mail : arnotavs@actom.co.za

MECHANICAL EQUIPMENT

Products

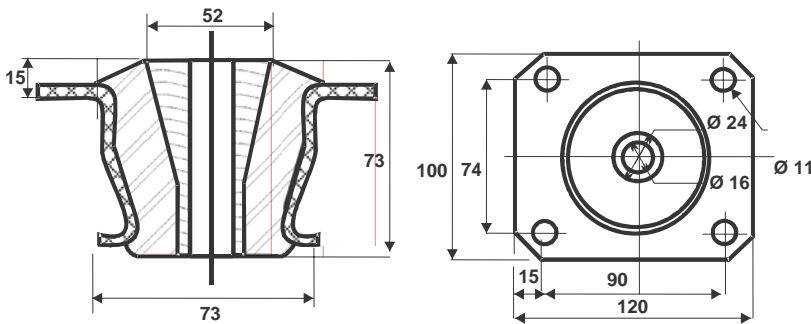
Industrial, Off Highway & Rail

Drop In Mounts

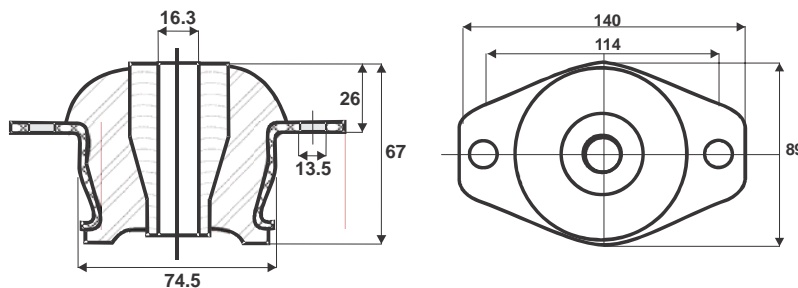
Heavy Duty "Drop In" Mounts

These mounts operate partly in compression, but mainly in shear. They are robust with high lateral stiffness. Used for mobile gen-sets, vehicle engines, truck cabs and off highway equipment where mounting may have to withstand lateral loads due to braking or impact and a low mounting height is required which is achieved by the "drop in" design.

These are locally manufactured by ACTOM Mechanical Equipment and sold under the Vibrex brand name.

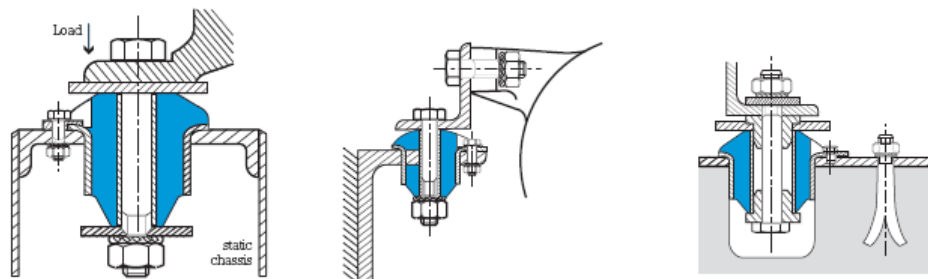


Vibrex Part No.	Load [kg]	Deflection [mm]
5282 A - Green	500	5
5282 C - White	700	4
5282 D - Yellow	1000	3



Vibrex Part No.	Load [kg]	Deflection [mm]
5211 A - Green	200	6
5211 C - White	280	4
5211 D - Yellow	400	3

Drop In Arrangements



ACTOM

ACTOM Mechanical Equipment

4 Branch Road, Driehoek, Germiston, 1401 P.O. Box 1300, Germiston, South Africa, 1400
 Tel : +27 11 8783000 Fax : +27 11 8783001 E-mail : arnotavs@actom.co.za

