

MECHANICAL EQUIPMENT

Products

Acoustic

Neoprene Jack-Up Mounts



MASON INDUSTRIES, Inc.

Manufacturers of Vibration Control Products

350 Rabro Drive Hauppauge, NY 11788
 631/348-0282 FAX 631/348-0279
 Info@Mason-Ind.com Website: www.Mason-Ind.com

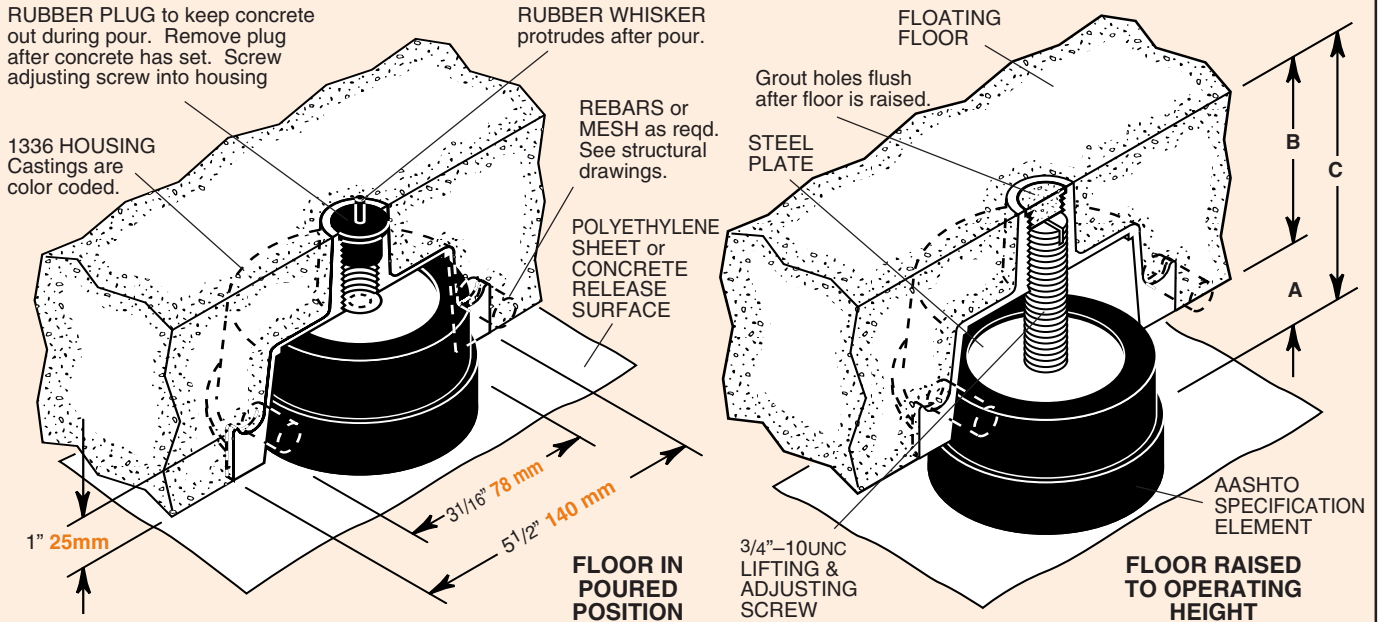
2101 W. Crescent Ave., Suite D Anaheim, CA 92801
 714/535-2727 FAX 714/535-5738
 Info@MasonAnaheim.com

FLOATING FLOOR LDS JACK-UP MOUNTINGS

TYPE

FSN

DATA SHEET DS-50-4



TYPE FSN RATINGS (1336 Housing)

Type	Size	EAFM LDS Element			Load Capacity				Casting Color Code
		Element No.	Color Mark	Duro-meter ±5	0.2" Defl (lbs)	5 mm Defl (kgs)	0.3" Defl (lbs)	8 mm Defl (kgs)	
FSN*-(3,4,5,6)	500	12530	Green	40	335	152	500	227	Green
	700	12530	Red	50	470	214	700	318	Red
	900	12530	White	60	600	273	900	409	White
	1300	11901	Red	50	875	396	1300	590	Orange
	1700	11901	White	60	1140	517	1700	771	Yellow

A Air Gap	B Floor Thickness	C Overall Height
Most Common 1" or 2"	3" 75mm - Minimum	Air Gap Plus Floor Thickness
25 or 50mm	4" 100mm - Most Common	
Occasionally 3" or 4"	5" 125mm - Seldom	
75 or 100mm	6" 150mm - Common	
	Thicker Floors or Fractional Dimensions As Required	

*FSN Housing Height matches floor thickness. Housing suffix indicates housing height, i.e. FSN4 indicates 4" 100mm floor and housing; FSN6, 6" 150mm floor and housing, etc.

NOTE: Castings can be modified for floors over 6" 150mm thick.

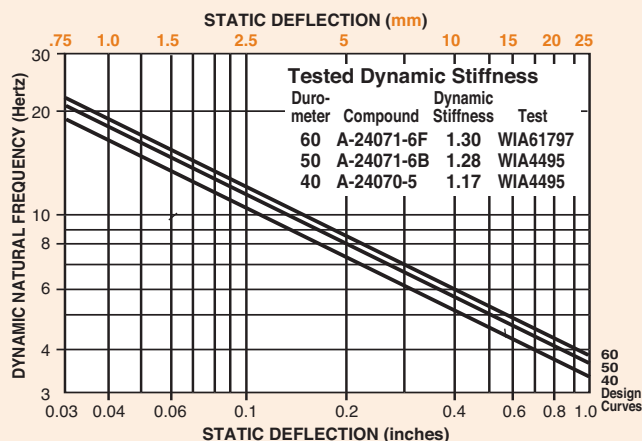
Mounts are designed for 0.3" 8 mm maximum deflection under constant load. Temporary loadings may greatly exceed these numbers without damage or permanent set. See graph below right.

All mountings are molded to AASHTO specifications

The theoretical natural frequency of mounts without Dynamic Stiffness correction: At 0.2" 5 mm - 7.0 Hz, At 0.3" 8 mm - 5.7 Hz

Actual frequencies may be read from the chart below.

MASON LOW DYNAMIC STIFFNESS (LDS) BRIDGE BEARING COMPOUNDS. DYNAMIC NATURAL FREQUENCY/DEFLECTION CHART

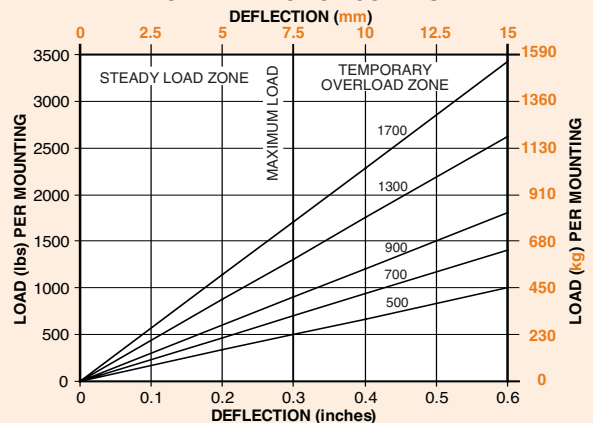


AASHTO BRIDGE BEARING SPECIFICATIONS FOR POLYISOPRENE

ORIGINAL PHYSICAL PROPERTIES			TESTED FOR AGING			COMPRES-	LONG	
Duro-	Tensile	Elongat.	Hard-	Tensile	Elongat.	SION SET	TERM	
meter	Strength	at Break	ness	Strength	at Break	ASTM	CREEP	
Shore A	(min)	(min)	(max)	(max)	(max)	D-395	ISO8013	
	(min)	(min)	(max)	(max)	(max)	22hrs/158°F	168hrs	
						Method B		
40±5*	2000 psi	500%	+10%	-25%	-25%	25 pphm in air by Vol. 20% Strain 100°F	25%(max)	5%(max)
50±5	2250 psi	450%	+10%	-25%	-25%	No Cracks	25%(max)	5%(max)
60±5	2250 psi	400%	+10%	-25%	-25%	No Cracks	25%(max)	5%(max)
70±5	2250 psi	300%	+10%	-25%	-25%	No Cracks	25%(max)	5%(max)

*AASHTO does not spec 40 Duro. 40 Duro by Mason.

LOAD DEFLECTION CURVES



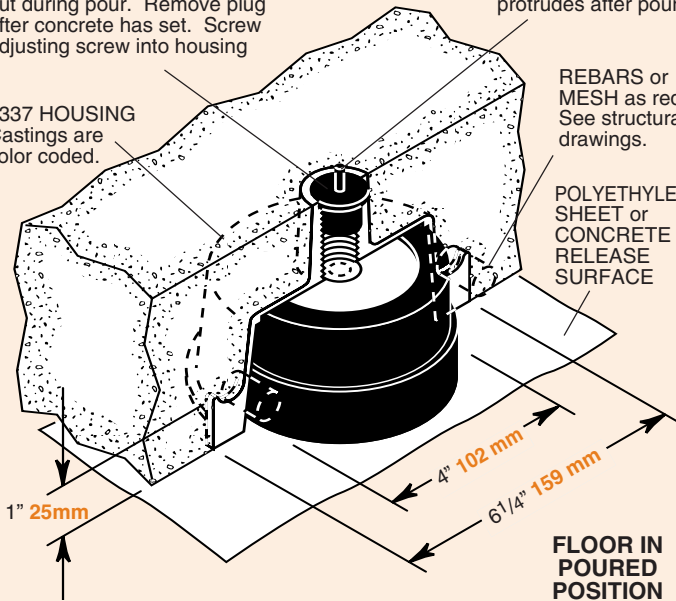
RUBBER PLUG to keep concrete out during pour. Remove plug after concrete has set. Screw adjusting screw into housing

1337 HOUSING Castings are color coded.

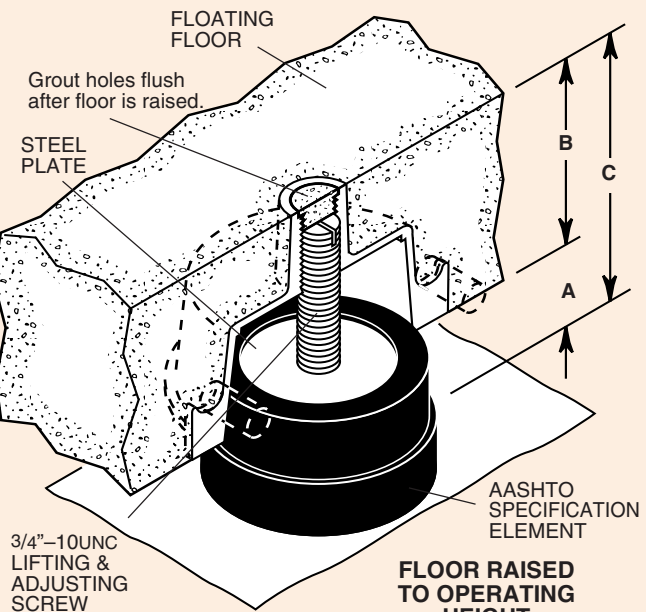
RUBBER WHISKER protrudes after pour.

REBARS or MESH as reqd. See structural drawings.

POLYETHYLENE SHEET or CONCRETE RELEASE SURFACE



FLOOR IN POURED POSITION



FLOOR RAISED TO OPERATING HEIGHT

TYPE FSN RATINGS (1337 Housing)

Type	Size	EAFM LDS Element			Load Capacity				Casting Color Code
		Element No.	Color Mark	Duro-meter ±5	0.2" Defl (lbs)	5 mm Defl (kgs)	0.3" Defl (lbs)	8 mm Defl (kgs)	
FSN*-(3,4,5,6)	2800	12147	Red	50	1675	760	2500	1134	Black
	3500	12147	White	60	2350	1066	3500	1588	Gray

*FSN Housing Height matches floor thickness. Housing suffix indicates housing height, i.e. FSN4 indicates 4" 100mm floor and housing; FSN6, 6" 150mm floor and housing, etc.

NOTE: Castings can be modified for floors over 6" 150mm thick.

A Air Gap	B Floor Thickness	C Overall Height
Most Common 1" or 2"	3" 75mm- Minimum 4" 100mm- Most Common	Air Gap Plus Floor Thickness
Occasionally 3" or 4"	5" 125mm- Seldom 6" 150mm- Common	
75 or 100mm	Thicker Floors or Fractional Dimensions As Required	

Mounts are designed for 0.3" 8 mm maximum deflection under constant load. Temporary loadings may greatly exceed these numbers without damage or permanent set. See graph below right.

All mountings are molded to AASHTO specifications.

The theoretical natural frequency of mounts without Dynamic Stiffness correction:

At 0.2" 5 mm - 7.0 Hz, At 0.3" 8 mm - 5.7 Hz

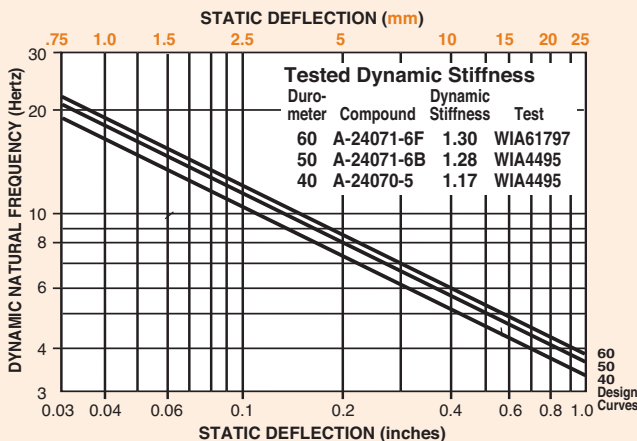
Actual frequencies may be read from the chart below.

AASHTO BRIDGE BEARING SPECIFICATIONS FOR POLYISOPRENE

ORIGINAL PHYSICAL PROPERTIES	TESTED FOR AGING		COMPRES-SION SET	LONG TERM CREEP				
	OVEN AGING (70hrs/158°F)	OZONE						
Tests: ASTM D-2240 & D-412	ASTM D-573	ASTM D-1149	ASTM D-395	ISO8013				
Duro-meter	Hard-ness	25 pphm in air by Vol. 20% Strain 100°F	22hrs/158°F Method B	168hrs				
Tensile	Tensile							
Elongat. at Break (min)	Strength at Break (max)	Elongat. at Break (max)						
40±5	2000 psi	500%	+10%	-25%	-25%	No Cracks	25%(max)	5%(max)
50±5	2250 psi	450%	+10%	-25%	-25%	No Cracks	25%(max)	5%(max)
60±5	2250 psi	400%	+10%	-25%	-25%	No Cracks	25%(max)	5%(max)
70±5	2250 psi	300%	+10%	-25%	-25%	No Cracks	25%(max)	5%(max)

*AASHTO does not spec 40 Duro. 40 Duro by Mason.

MASON LOW DYNAMIC STIFFNESS (LDS) BRIDGE BEARING COMPOUNDS. DYNAMIC NATURAL FREQUENCY/DEFLECTION CHART



LOAD DEFLECTION CURVES

