



# CABINE MOUNTS

## DESCRIPTION

The AMC-MECANOCAUCHO® cabin mount is composed of two main metal parts. Both metal parts are bonded to a high resilient rubber for optimum vibration isolation.

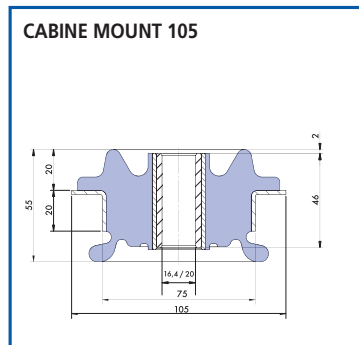
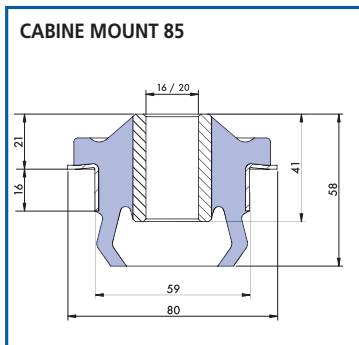
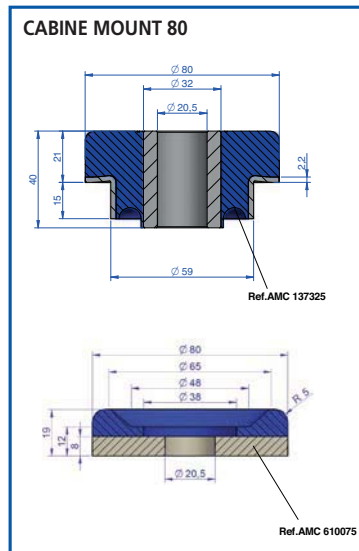
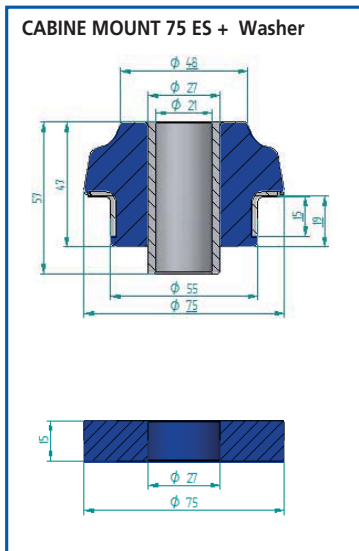
## TECHNICAL CHARACTERISTICS

- This mount incorporates two bump shaped profiles in order to absorb dynamic loads or shocks. This feature is specially interesting for restricting the motion of the cabin under transient shocks.
- The metal parts are corrosion protected to cope with arduous environments on land or marine applications. RoHs compliant.
- The AMC-Mecanocaucho® cabin mount can be manufactured in other different rubber compounds in order to be suitable for different weight of cabins.
- Our technical department can give the correct recommendation in order to overpass ROPS tests on construction equipment machinery.

## APPLICATIONS

For the effective isolation of vibration and noise on cabins for the following purposes:

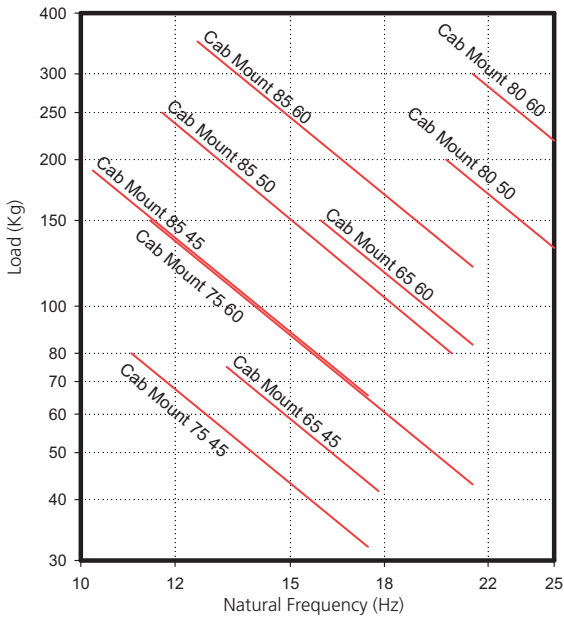
- Agricultural Tractors.
- Construction equipment machinery
- Off road vehicles.



TYPE	CODE	CODE	CODE	WEIGHT	
		45 shore	50 shore		60 shore
		Max. Load (Kg.)	Max. Load (Kg.)	Max. Load (Kg.)	(GR.)
Cabine Mount 75	Ø16	137371		137372	328
	Ø20	137373		137374	328
		80		150	
Cabine Mount 80	Ø16		137353	137354	616
	Ø20		137351	137352	616
			200	300	
Cabine Mount 85	Ø16	137322		137323	300
	Ø20	137313		137311	300
		75		150	
Cabine Mount 105	Ø16	137301	137318	137315	600
	Ø20	137302	137320	137319	600
		190	250	350	

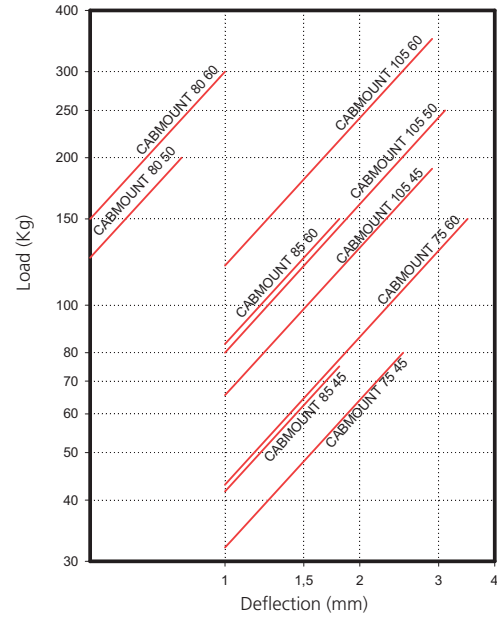
## DYNAMIC CABINE MOUNT

AMC NATURAL FREQUENCIES  
MECANOCAUCHO® DYNAMIC CABINE MOUNT

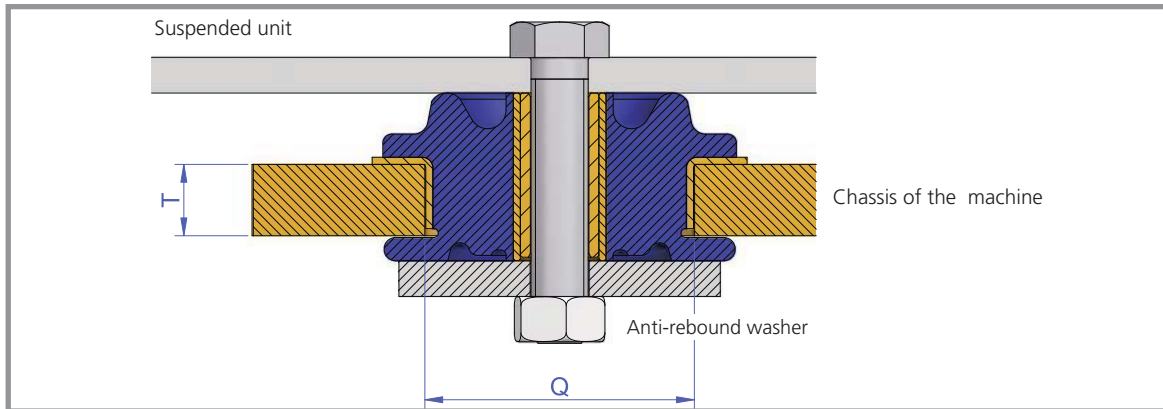


## CABINE MOUNT DEFLECTION

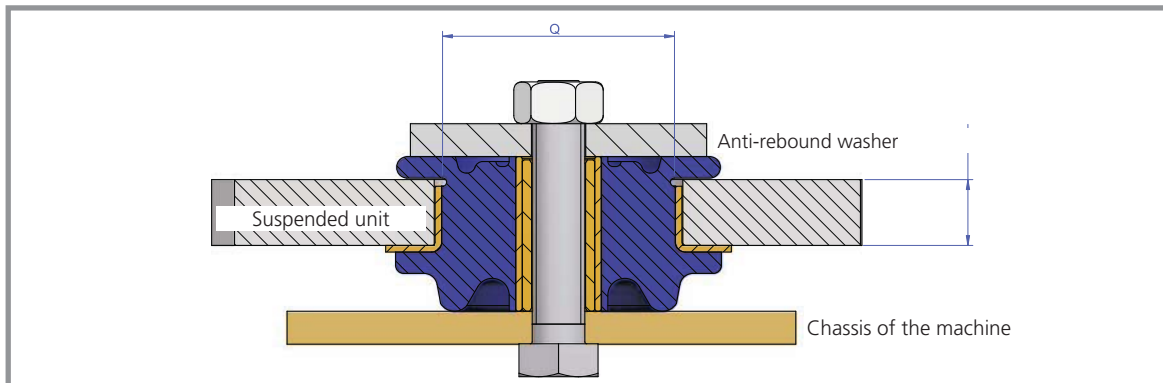
AMC LOAD DEFLECTION GRAPHS  
MECANOCAUCHO® CABINE MOUNT TYPE



### - Assembly 1



### - Assembly 2



TYPE	Q	T
Cabine Mount 75	60	16
Cabine Mount 80	55,5	16
Cabine Mount 85	60	16
Cabine Mount 105	75	20