



# BSB

## DESCRIPTION

The BSB type Amc-Mecanocaucho® mounts are antivibration elements which work the rubber in shear and compression with an optimal ratio of stiffness and horizontal stability. These mounts are really interesting when stability is a priority in an antivibration suspension.

In applications where the degree of isolation is a priority, we must choose the BRB-type range of Amc-Mecanocaucho® antivibration mounts.

## TECHNICAL CHARACTERISTICS

- The top metal hood protects the rubber from the Ozone, UV rays, diesel or oils which may cause major damage to the rubber.
- The metal parts have a suitable anticorrosive treatment for outdoor applications. RoHs compliant.

- They have an interlocking metal component that provides a fail-safe protection for mobile applications. This device limits the ascending vertical movement when the mounting is submitted to shocks at traction.
- The mounts are clearly identified, as the baseplates are engraved with the type and hardness, which makes it possible to easily recognise the part even after several years of use.
- The hood has a cross stamped on the top, which enhances its stiffness on mobile applications and also improves the evacuation of oils or liquids that splash onto it.

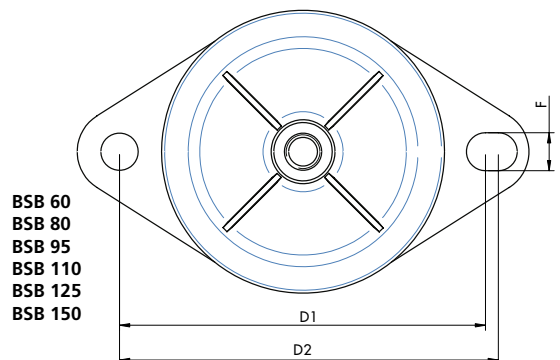
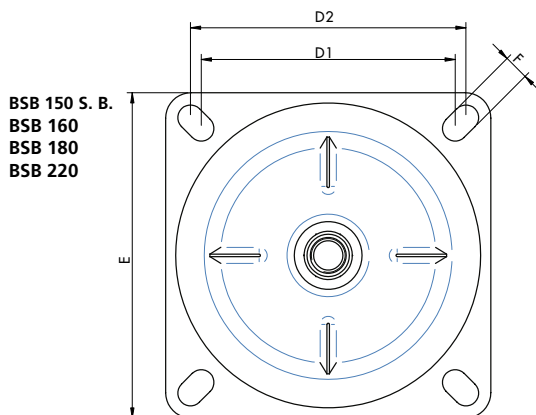
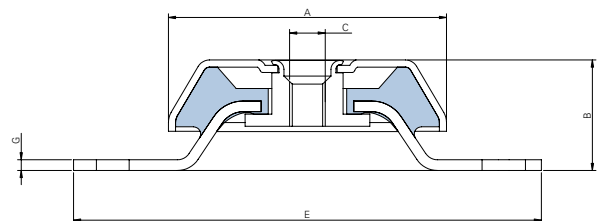
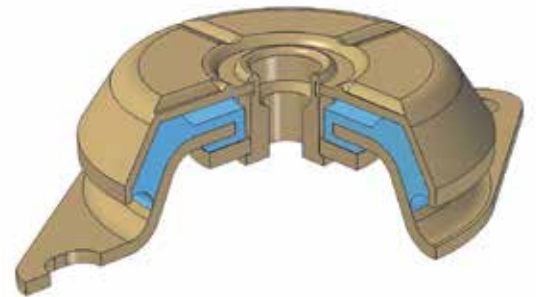
## APPLICATIONS

In mobile rotating machines that require control of movements and reasonable values of vibrations and noise, such as:

- Pumps, Marine-Land auxiliary units, Industrial Vehicles, Compressors, Ventilators...

This mount is suitable for the isolation of mobile rotating machines which are exposed to axial and radial shocks, dripping oil or diesel or exposure to the weather.

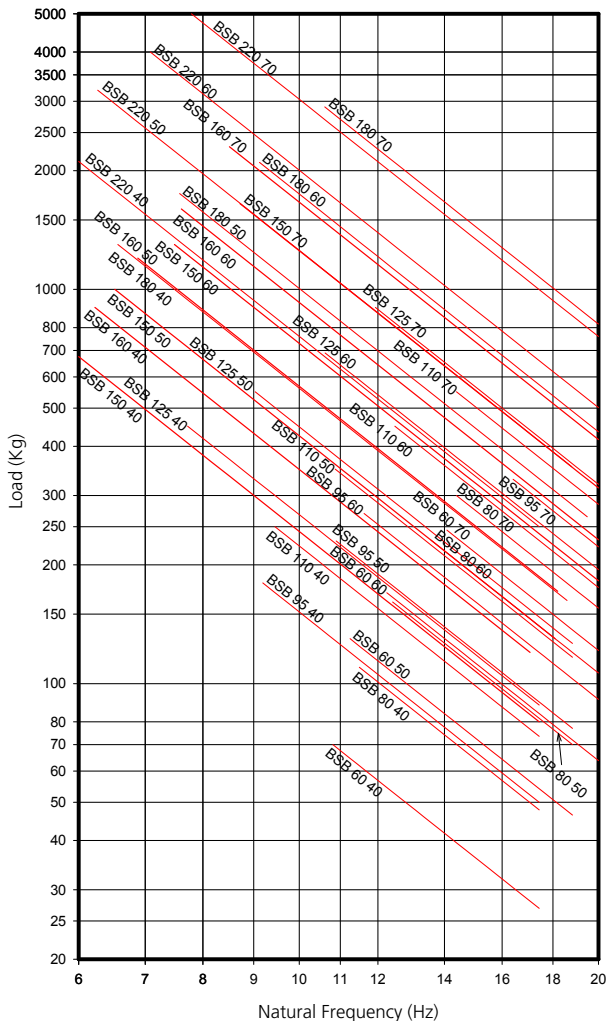
TYPE	AMC	Hardness	Hardness	Hardness	Hardness
		40 Sh	50 Sh	60 Sh	70 Sh
BSB 60	Max. Load (Kg)	70	130	170	245
BSB 80 M10	Max. Load (Kg)	110	161	231	300
BSB 80 M12	Max. Load (Kg)	110	161	231	300
BSB 95 M10	Max. Load (Kg)	180	230	270	330
BSB 95 M12	Max. Load (Kg)	180	230	270	330
BSB 110 M12	Max. Load (Kg)	250	350	450	550
BSB 110 M16	Max. Load (Kg)	250	350	450	550
BSB 125	Max. Load (Kg)	450	550	690	900
BSB 150	Max. Load (Kg)	750	950	1300	1650
BSB 160	Max. Load (Kg)	900	1200	1600	2300
BSB 180	Max. Load (Kg)	1300	1750	2100	2900
BSB 220	Max. Load (Kg)	2500	3200	4000	5000



TYPE	A	B	C	D1 (Min.)	D2 (Max.)	E	F	G	CODE 40 Sh	CODE 50 Sh	CODE 60 Sh	CODE 70 Sh	CODE 75 Sh	WEIGHT (gr)
BSB 60	64	35	M-10	76,5	90,5	110	9	2,5	135106	135109	135107	135108	*	235
BSB 80 M10	78	31	M-10	108,2	112,2	130	9,2	3	135261	135262	135263	135264	*	355
BSB 80 M12	78	31	M-12	108,2	112,2	130	9,2	3	135265	135266	135267	135268	*	351
BSB 95 M10	92	34	M-10	122	126,4	150	10	3	135311	135312	135313	135314	*	488
BSB 95 M12	92	34	M-12	122	126,4	150	10	3	135315	135316	135317	135318	*	488
BSB 110 M12	106	37	M-12	137	150	175	13	3	135335	135336	135337	135338	*	785
BSB 110 M16	106	37	M-16	137	150	175	13	3	135150	135151	135152	135153	*	785
BSB 125	123	43	M-16	154	162	190	14	4	135351	135352	135353	135354	135355	1109
BSB 150 Square base	155	49	M-16	125	132	164	14,5	4	135371	135372	135373	135374	*	2060
BSB 150	155	49	M-16	176	188	218	14,5	4	135361	135362	135363	135364	*	1818
BSB 160	155	57	M-20	140	140	170	14,5	4	135381	135382	135383	135384	*	
BSB 180	180	67	M-20	149	163	192	14,5	4	135181	135184	135182	135183	*	2914
BSB 220	225	105	M-24	180	180	220	19	6	135301	135302	135303	135304	*	6716

### DYNAMIC BSB

AMC NATURAL FREQUENCIES  
MECANOCAUCHO® BSB TYPE



### BSB DEFLECTION

AMC LOAD DEFLECTION GRAPHS  
MECANOCAUCHO® BSB TYPE

